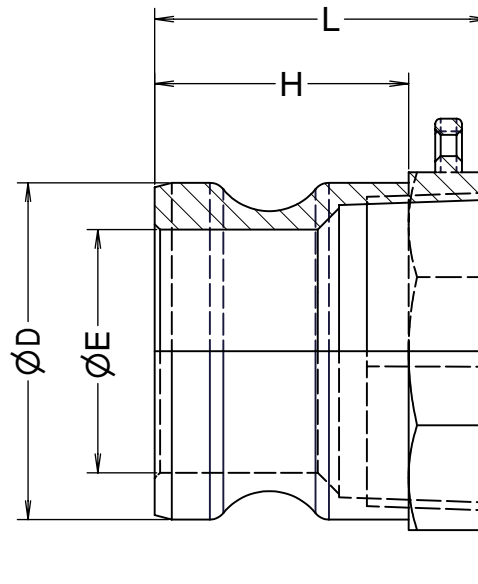
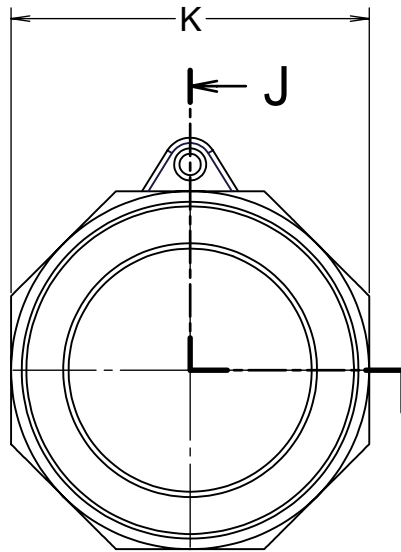
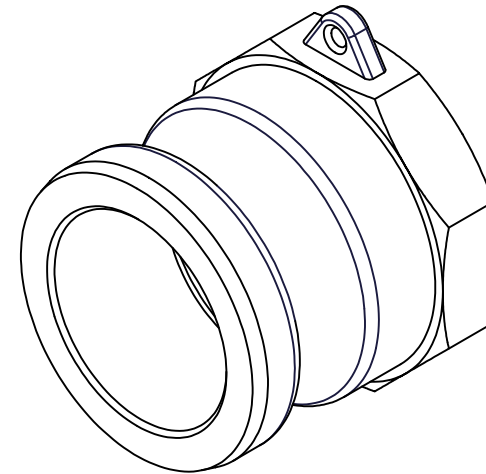



Part No.	75x50-A	75-A	100-A	125-A	150-A	200-A	250-A	300-A	400-A	Units:mm
Size	mm	20x15	20	25	32	40	50	65	80	100
	inches	3/4x1/2	3/4	1	1-1/4	1-1/2	2	2-1/2	3	4
∅D	32	32	36.7	45.5	53.4	63	75.8	91.5	119.5	
∅E	21	21	23.8	28.5	36	45.5	56.3	73	98	
K	27	34	41	48	56	67	84	97	122	
H	27	28	34	40	42	47.5	67	51	52	
L	41	41	47	55	57	62.5	87	71	77	
Weight(kg)	0.04	0.05	0.06	0.1	0.13	0.16	0.35	0.3	0.5	



Section J-J



1	ボディ	AC4D-T6	1	
ITEM	PART NAME	MATERIAL	Q'TY	REMARKS
CUSTOMER		TITLE MAX-LOK		
DATE		SCALE	DRAW	APPR
Oct.11'04		none	ToMo	
DWG No.		MAX-A-01-AC4D 3		
		 FULLNESS JAPAN CORPORATION.		