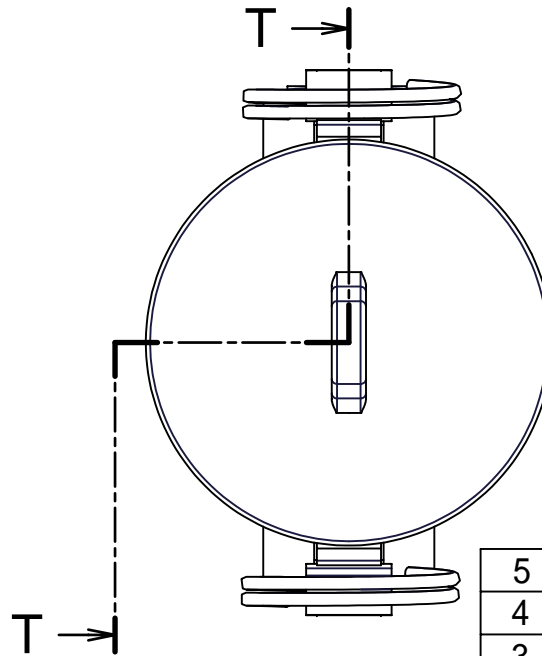
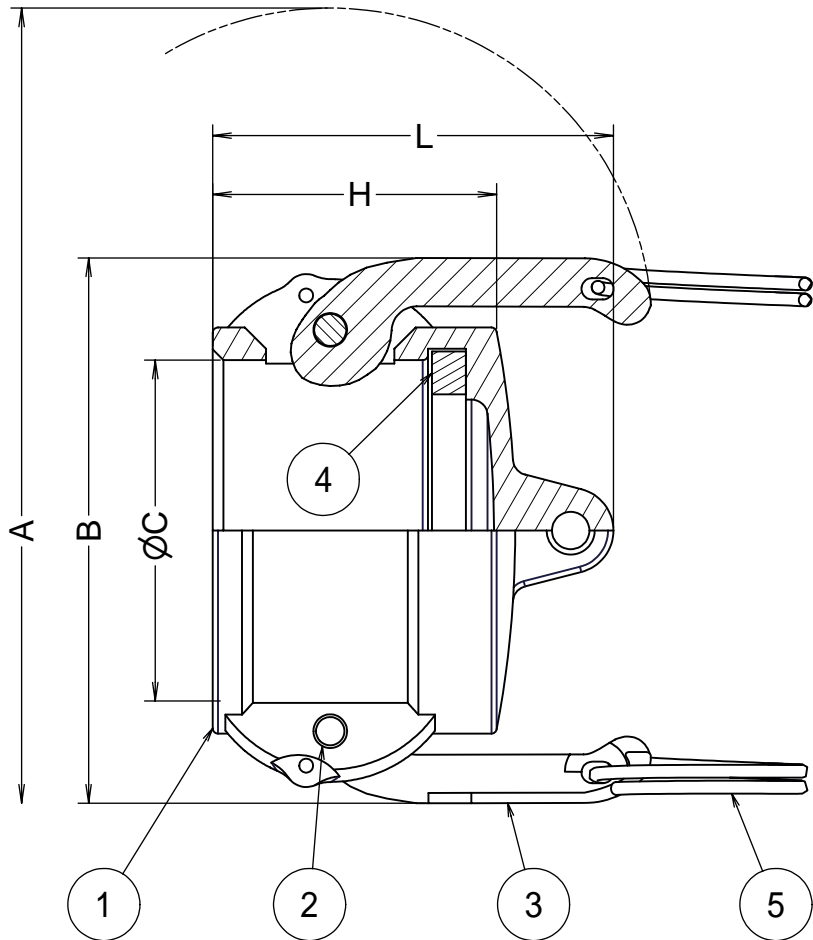



| Part No. | 75-DC | 100-DC | 125-DC | 150-DC | 200-DC | 250-DC | 300-DC | 400-DC |
|------------|--------|--------|--------|--------|--------|--------|--------|--------|
| | mm | 20 | 25 | 32 | 40 | 50 | 65 | 100 |
| | inches | 3/4 | 1 | 1-1/4 | 1-1/2 | 2 | 2-1/2 | 4 |
| A | | 116 | 126 | 179 | 186 | 196 | 208 | 280 |
| B | | 54 | 61 | 84 | 91 | 101 | 113 | 166 |
| ∅C | | 32.4 | 37.2 | 46 | 54 | 63.8 | 76.5 | 120.2 |
| H | | 32 | 40 | 46 | 46 | 53 | 54 | 61 |
| L | | 44 | 53 | 62 | 65 | 75 | 68 | 83 |
| Weight(kg) | | 0.09 | 0.14 | 0.28 | 0.29 | 0.36 | 0.37 | 0.81 |

Units:mm



Section T-T

| | | | | |
|------------------|-----------|--|------|---------|
| 5 | リング | SUS304 | 2 | |
| 4 | ガスケット | BUNA-N | 1 | |
| 3 | カムアーム | SUS304 | 2 | |
| 2 | ピン | SUS304 | 2 | |
| 1 | ボディ | AC4D-T6 | 1 | |
| ITEM | PART NAME | MATERIAL | Q'TY | REMARKS |
| CUSTOMER | | TITLE | | |
| | | MAX-LOK | | |
| | | MAX-DCダストキャップ | | |
| DATE | SCALE | DRAW | APPR | |
| Oct.28'04 | none | ToMo | | |
| DWG No. | | 3 | | |
| MAX-DC-01AL-AC4D | |  FULLNESS JAPAN CORPORATION. | | |